

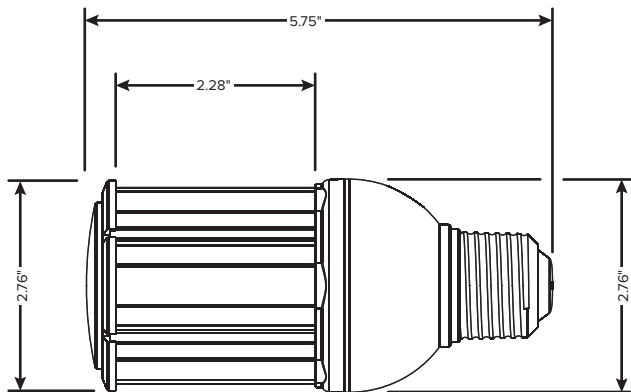
Key Features & Benefits:

- Wet Location Approved
- Omnidirectional
- Rated for Fully Enclosed Fixtures



Technical Specifications:

- Power: 15 Watts
- Lumen Output: Up to 2,015 Lumens
- Efficacy (lm/W): Up to 134 Lumens per Watt
- Kelvin: 3000K, 4000K, 5000K
- CRI: >80
- Input Voltage: 120-277 VAC
- Life Span: 50,000 Hours
- Beam Angle: 300°
- Dimensions(ØxH): 2.76" x 5.75"
- Weight(lbs): 0.7 lbs
- Base Type: E26
- Operating Temperature: -4 ~ 149°F (-20 ~ 65°C)
- Power Factor: >0.95
- Total Harmonic Distortion (THD): < 20%



Project: _____

Date: _____

Catalog #: _____

Notes: _____



No Fans



No Noise



No Bugs

ITEM#	WATTS	LUMEN OUTPUT	EFFICACY (lm/W)	KELVIN
ESL-CL-15W-230S	15W	1,845	122	3000K
ESL-CL-15W-240S	15W	1,950	131	4000K
ESL-CL-15W-250S	15W	2,015	134	5000K

*2700K and 5700K available upon request

Ordering Guide:

Example Part Number: **ESL-CL-15W-230S**

ESL	-	CL	-	15W	-	2	-	S
ESL		TYPE		WATTS		GENERATION		BASE
		CL		15W (15 Watts)		2 (2nd Generation)		S (E26)
						30 (3000K)		
						40 (4000K)		
						50 (5000K)		

Additional Options:



ESL-SP-277 (Surge Protector up to 277 VAC)