

Key Features & Benefits:

- Universal AC Input / Full Range (up to 305 VAC)
- Built-in Active PFC Function
- Protections: Short Circuit / Over Voltage / Over Temperature
- Suitable for Dry / Damp Locations
- Easy Installation with ESL Vision Quick Connect Series
- 7 Year Warranty



Project: _____

Date: _____

Catalog #: _____

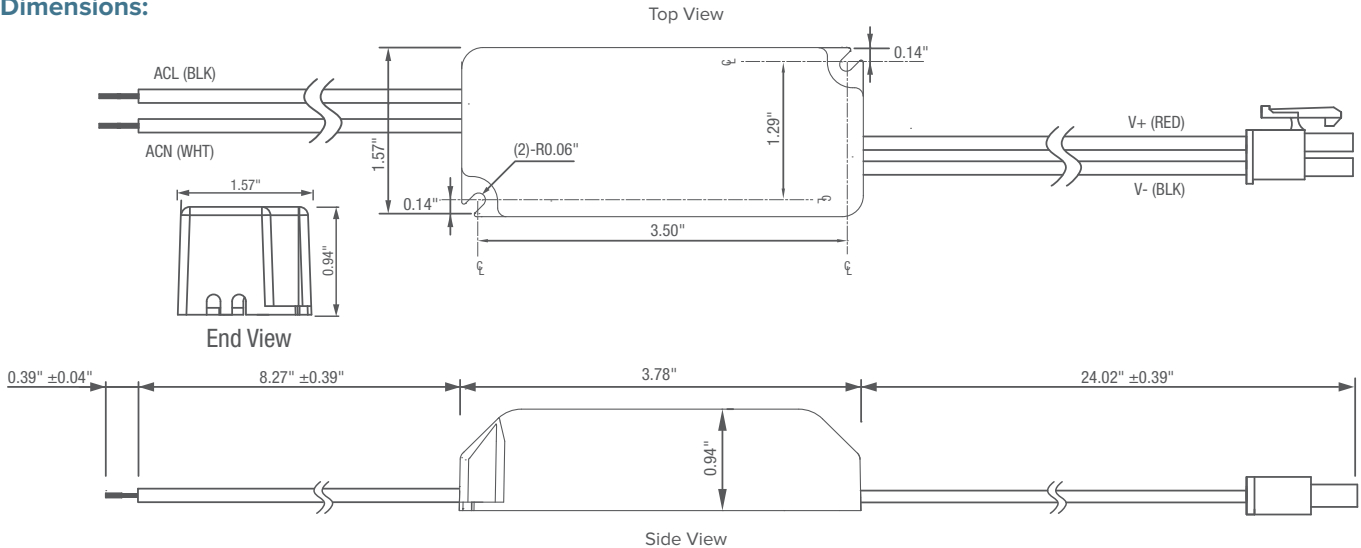
Notes: _____



Technical Specifications:

| Input | Output | Environment |
|--|----------------------------|---------------------------------|
| Input Voltage: 100 - 277 VAC | DC Voltage: 36 VDC | Working Temperature: -20 ~ 50°C |
| Power Factor: 0.98 / 120 VAC, 0.90 / 277 VAC | Rated Current: 240 mA | Max Case Temperature: 86°C |
| Total Harmonic Distortion: 20% | Rated Power: 10W | Working Humidity: 20 -70% RH |
| Frequency Range: 47~63 Hz | Voltage Range: 35 - 75 VDC | |
| Efficiency: 87% | Line Regulation: 3% | |
| AC Current: .083 A / 120 VAC, .036 A / 277 VAC | Load Regulation: 2% | |

Driver Dimensions:



Example Part Number: **ESL-DQC1-10W-1L**

| | | | | | | |
|------------|---|-------------|---|--|---|-----------|
| ESL | - | DQC1 | - | 10W | - | 1L |
| ESL | | DRIVER | | WATTS | | DC OUTPUT |
| | | DQC1 | | 10W 18W 12W 22W 13W 30W 15W 36W | | 1L |