

Project: _____ Date: _____
 Catalog #: _____
 Notes: _____

Key Features & Benefits:

- Universal AC Input / Full Range (up to 305 VAC)
- Built-in Active PFC Function
- Protections: Short Circuit / Over Voltage / Over Temperature
- Suitable for Dry / Damp Locations
- Easy Installation with ESL Vision Quick Connect Series
- 7 Year Warranty



Technical Specifications:

Input

Input Voltage: 100 - 277 VAC
 Power Factor: 0.98 / 120 VAC, 0.90 / 277 VAC
 Total Harmonic Distortion: 20%
 Frequency Range: 47~63Hz
 Efficiency: 88%
 AC Current: .108 A / 120 VAC, .046 A / 277 VAC

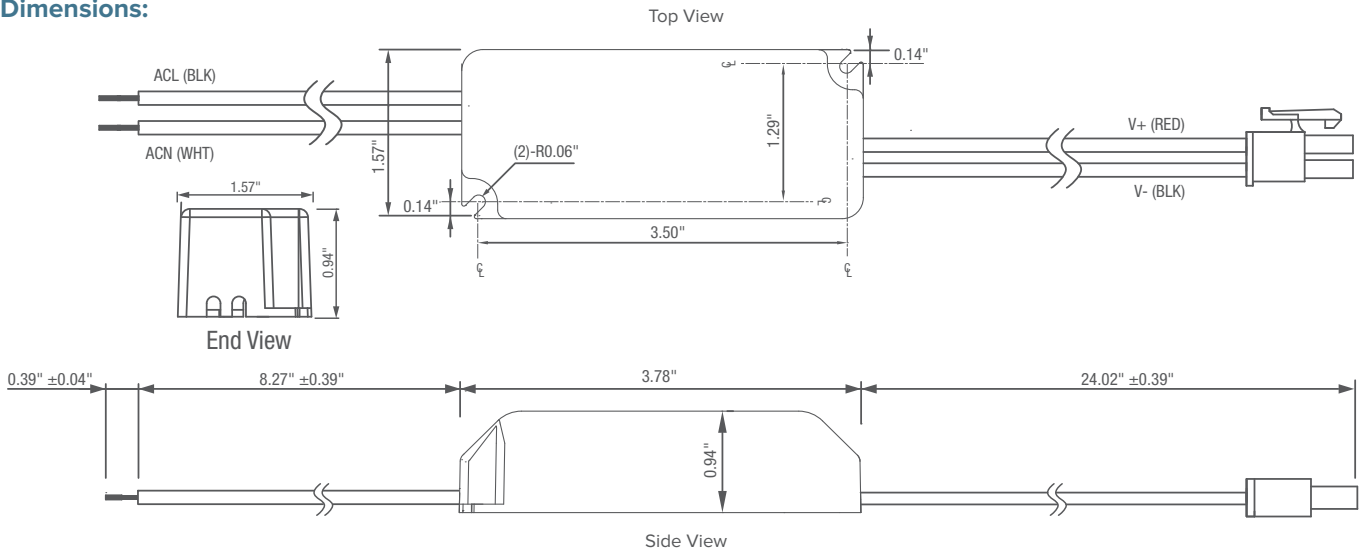
Output

DC Voltage: 36 VDC
 Rated Current: 320 mA
 Rated Power: 13W
 Voltage Range: 28-42 VDC
 Line Regulation: 3%
 Load Regulation: 2%

Environment

Working Temperature: -20 ~ 50°C
 Max Case Temperature: 65°C
 Working Humidity: 20 -70% RH

Driver Dimensions:



Example Part Number: **ESL-DQC1-13W-1L**

| | | | | | | |
|------------|---|-------------|---|--|---|-----------|
| ESL | - | DQC1 | - | 13W | - | 1L |
| ESL | | DRIVER | | WATTS | | DC OUTPUT |
| | | DQC1 | | 10W 18W 12W 22W 13W 30W 15W 36W | | 1L |