

Key Features & Benefits:

- Multiple Mounting Options Designed to Retrofit
 - Street Lights
 - High Bays / Low Bays
 - Garage Lights
 - Shoe Box Fixtures
 - Wall Packs
- Utilize Existing Fixture
- 10 Year Warranty
- Optimized Pin Array Heatsink
- Overheat Shutdown
- L70 Lifetime >100,000 Hours
- Intelligent Thermal Control
- Compatible with Networked Lighting Control Qualified Systems



Project: _____

Date: _____

Catalog #: _____

Notes: _____



Technical Specifications:

Light Specifications

Lumen Output: Up to 25,890 Lumens
 Efficacy (lm/W): Up to 133 Lumens per Watt
 Kelvin: 3000K, 4000K, 5000K
 CRI: >75
 Rated Life (hrs): 100,000 Hours
 IES Classification: Fixture Dependant
 Dimensions (LxWxH): 8.6" x 5.7" x 2.5"
 Weight Without Driver (lbs): 1.7

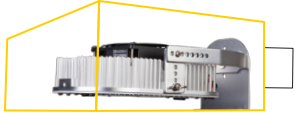
Driver Specifications

Power: 200 Watts
 Input Voltage: 120-277 VAC | HV - 347-480 VAC
 Input Current @120V: 1.67A
 Input Current @277V: 0.72A
 Input Current @480V: 0.42A
 Operating Temperature: -40°F to 176°F (-40°C to 80°C)

*Assembled in the USA option available upon request
 Not All Part Numbers DLC Qualified. For a Complete Listing Please Consult the DLC Qualified Products List (QPL).

Retrofit Kits for Outdoor Pole/Arm-Mounted Area and Roadway Luminaires

Integrated-style kits that replace all reflectors and optical systems of existing luminaires. Not screw-in "lamps" intended as HID replacements.

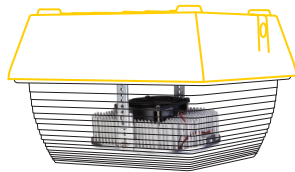


ITEM#	WATTS	LUMEN OUTPUT	EFFICACY (lm/W)	KELVIN	DLC QPL CODE (PREMIUM)
ESL-MUR-200W-330	200W	24,154	119	3000K	PRDGUYUM
ESL-MUR-200W-340	200W	24,876	122	4000K	P82PW7A9
ESL-MUR-200W-350	200W	25,597	125	5000K	PAR48ZZ8
ESL-MUR-200W-330-HV	200W	24,204	117	3000K	P94G1R5E
ESL-MUR-200W-340-HV	200W	24,841	120	4000K	P44U8X21
ESL-MUR-200W-350-HV	200W	25,475	123	5000K	P7371ZU3



Retrofit Kits for Fuel Pump Canopy Luminaires

Integrated-style kits that replace all reflectors and optical systems of existing luminaires. Not screw-in "lamps" intended as HID replacements.

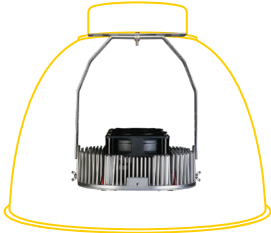


ITEM#	WATTS	LUMEN OUTPUT	EFFICACY (lm/W)	KELVIN	DLC QPL CODE (STANDARD)
ESL-MUR-200W-330	200W	25,087	130	3000K	P37E8RXB
ESL-MUR-200W-340	200W	25,462	132	4000K	P87K6XAJ
ESL-MUR-200W-350	200W	25,837	134	5000K	POMNBEFU
ESL-MUR-200W-330-HV	200W	25,029	128	3000K	PWOB3NAD
ESL-MUR-200W-340-HV	200W	25,453	130	4000K	PBQDC85D
ESL-MUR-200W-350-HV	200W	25,890	133	5000K	PKJ7S2H6

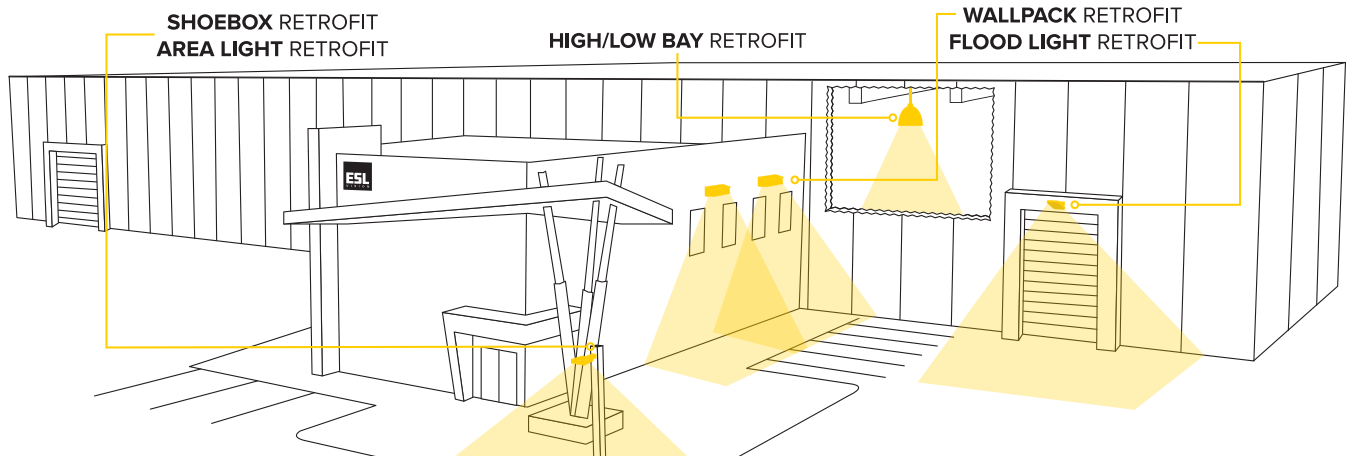


Retrofit Kits for High-Bay Luminaires for Commercial and Industrial Buildings

Integrated-style kits that replace all reflectors and optical systems of existing luminaires. Not screw-in "lamps" intended as HID replacements

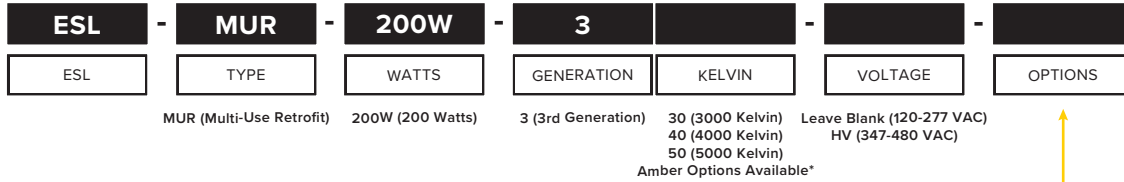


ITEM#	WATTS	LUMEN OUTPUT	EFFICACY (lm/W)	KELVIN	DLC QPL CODE (STANDARD)
ESL-MUR-200W-330	200W	22,822	116	3000K	PJU3E9CE
ESL-MUR-200W-340	200W	23,553	120	4000K	PNRTDMWE
ESL-MUR-200W-350	200W	24,283	123	5000K	PMG9WA0G
ESL-MUR-200W-330-HV	200W	23,018	115	3000K	PUSCWWE8
ESL-MUR-200W-340-HV	200W	23,671	118	4000K	PV6LUB3F
ESL-MUR-200W-350-HV	200W	24,318	122	5000K	PNP1QV49



Ordering Guide:

Example Part Number: **ESL-MUR-200W-330-HV**



*Please see www.eslvision.com for more details

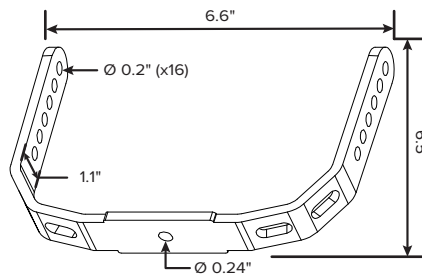
Options (Add as Suffix):

- ESL-3OCC
 - ESL-3OCCB
 - ESL-4OCC-LDD
 - ESL-SPD-277-1
 - ESL-REM-100
- IP65 0-10v Dimming Sensor. 8'- 50' Mounting, Wire From Side
 IP65 0-10v Dimming Sensor. 8'- 50' Mounting, Wire From Top
 Photocell/Occupancy Sensor for Standard Mounting, Dip Switch, 0-10v
 Hard Wire Surge Protector; (100-277 VAC) Max Discharge Current: 20kA
 Hand Held Remote to Program 2OCC-HDD, 3OCC/B and 4OCC-LDD

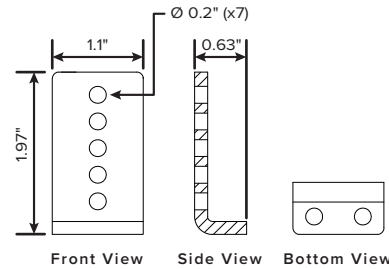
What's Included:

- (1) LED MUR
- (1) LED Outdoor Driver
- Assembled Mounting Hardware
 - U-Bracket
 - L-Bracket
- Additional Mounting Hardware
 - Hanger Block
 - L-Plate
 - Small Plate
 - Large Plate

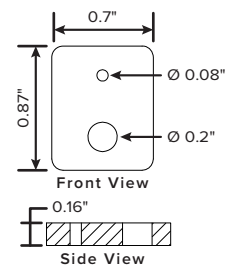
U-Bracket



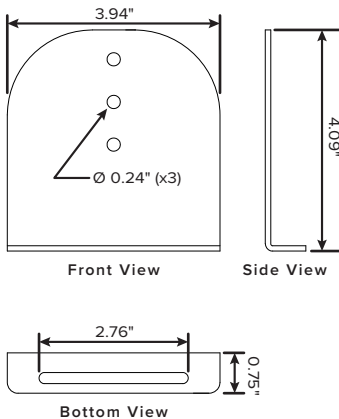
L-Bracket



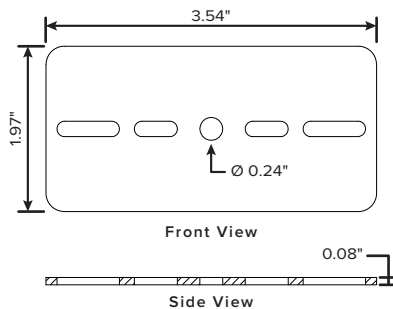
Hanger Block



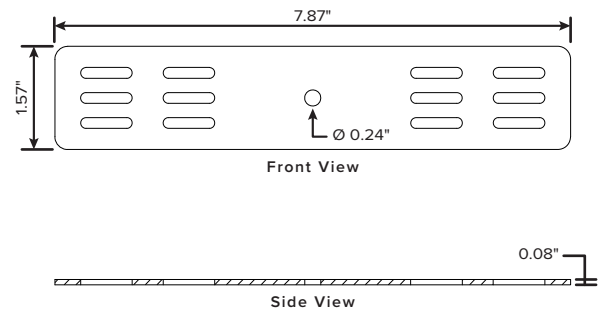
L-Plate



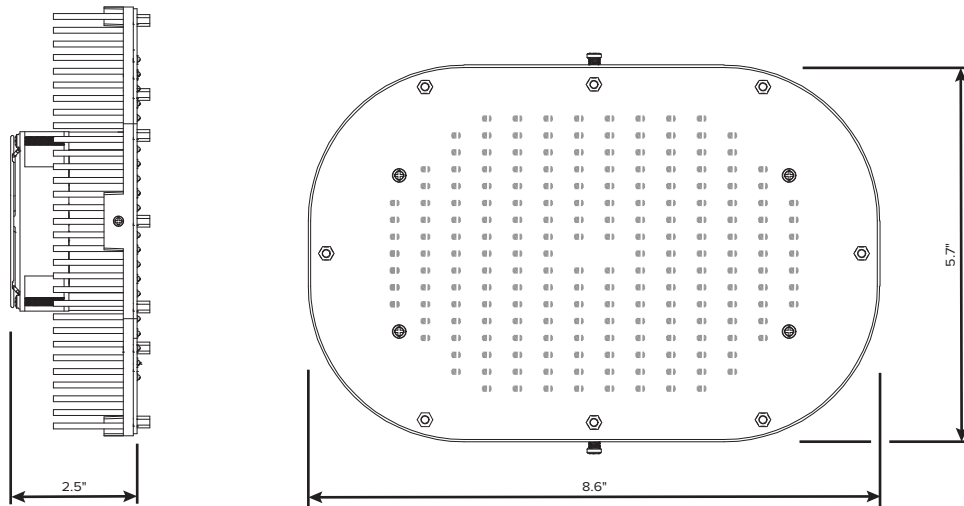
Small Plate



Large Plate



Dimensions:



Standard Driver Dimensions:

