

### Key Features & Benefits:

- Multiple Mounting Options Designed to Retrofit:
  - Street lights
  - High bays and low bays
  - Garage lights
  - Shoe box fixtures
  - Wall packs
- Utilize Existing Fixture
- Up to a 75% Energy Savings
- 10 Year Warranty
- Optimized Pin Array Heatsink
- Overheat Shutdown
- L70 Lifetime >80,000 Hours
- Intelligent Thermal Control
- Compatible with Networked Lighting Control Qualified Systems



Project: \_\_\_\_\_

Date: \_\_\_\_\_

Catalog #: \_\_\_\_\_

Notes: \_\_\_\_\_



### Technical Specifications:

#### Light Specifications

- Lumen Output: Up to 5,778 Lumens
- Efficacy (lm/W): Up to 125 Lumens per Watt
- Kelvin: 3000K, 4000K, 5000K
- CRI: >75
- Rated Life (hrs): 100,000 Hours
- IES Classification: Fixture Dependant
- Dimensions (LxWxH): 4.6" x 4.6" x 2.7"
- Weight Without Driver (lbs): 0.77

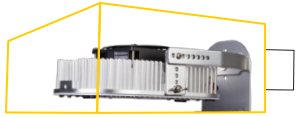
#### Driver Specifications

- Power: 45 Watts
- Input Voltage: 100-277 VAC | HV - 277-480 VAC
- Input Current @120V: 0.375A
- Input Current @277V: 0.162A
- Input Current @480V: 0.094A
- Operating Temperature: -4°F ~ 140°F (-20°C ~ 60°C)

\*Assembled in the USA option available upon request  
 Not All Part Numbers DLC Qualified. For a Complete Listing Please Consult the DLC Qualified Products List (QPL).

### Retrofit Kits for Outdoor Pole/Arm-Mounted Area and Roadway Luminaires

Integrated-style kits that replace all reflectors and optical systems of existing luminaires. Not screw-in "lamps" intended as HID replacements.

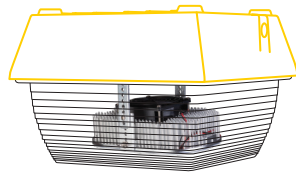


ITEM#	WATTS	LUMEN OUTPUT	EFFICACY (lm/W)	KELVIN	DLC QPL CODE (PREMIUM)
ESL-MUR-45W-330	45W	5,385	117	3000K	P28JJXW1
ESL-MUR-45W-340	45W	5,518	120	4000K	PYG4XRQM
ESL-MUR-45W-350	45W	5,651	124	5000K	PGFNM2CG
ESL-MUR-45W-330-HV	45W	5,249	117	3000K	PWGF6JT7
ESL-MUR-45W-340-HV	45W	5,389	120	4000K	PQWDWJM1
ESL-MUR-45W-350-HV	45W	5,529	124	5000K	P27V8XW5



### Retrofit Kits for Fuel Pump Canopy Luminaires

Integrated-style kits that replace all reflectors and optical systems of existing luminaires. Not screw-in "lamps" intended as HID replacements.

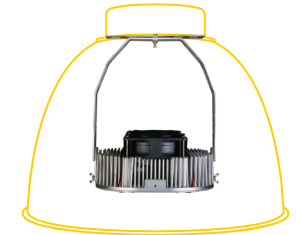


ITEM#	WATTS	LUMEN OUTPUT	EFFICACY (lm/W)	KELVIN	DLC QPL CODE (STANDARD)
ESL-MUR-45W-330	45W	5,542	120	3000K	PDUIMN20
ESL-MUR-45W-340	45W	5,660	122	4000K	PH9CHOHS
ESL-MUR-45W-350	45W	5,778	125	5000K	PJFZK5QR
ESL-MUR-45W-330-HV	45W	5,416	120	3000K	P2ELDO0V
ESL-MUR-45W-340-HV	45W	5,515	122	4000K	PA4091W9
ESL-MUR-45W-350-HV	45W	5,615	125	5000K	PVV6L1BW



### Retrofit Kits for Low-Bay Luminaires for Commercial and Industrial Buildings

Integrated-style kits that replace all reflectors and optical systems of existing luminaires. Not screw-in "lamps" intended as HID replacements



ITEM#	WATTS	LUMEN OUTPUT	EFFICACY (lm/W)	KELVIN	DLC QPL CODE (STANDARD)
ESL-MUR-45W-330	45W	5,195	116	3000K	PSM3TM6U
ESL-MUR-45W-340	45W	5,348	119	4000K	P73J0LAD
ESL-MUR-45W-350	45W	5,549	120	5000K	PFC4HUQK
ESL-MUR-45W-330-HV	45W	5,081	114	3000K	PW2D4LKD
ESL-MUR-45W-340-HV	45W	5,178	119	4000K	PTBM0BBK
ESL-MUR-45W-350-HV	45W	5,311	123	5000K	PIT38YCF

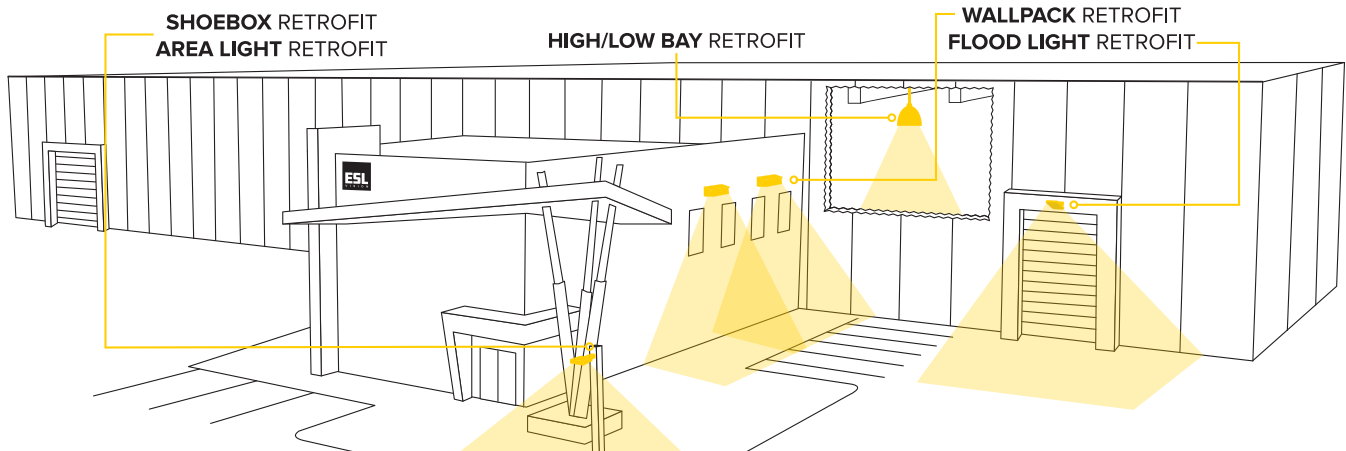


### Retrofit Kits for Outdoor Full-Cutoff Wall-Mounted Luminaires

Integrated-style kits that replace all reflectors and optical systems of existing luminaires. Not screw-in "lamps" intended as HID replacements

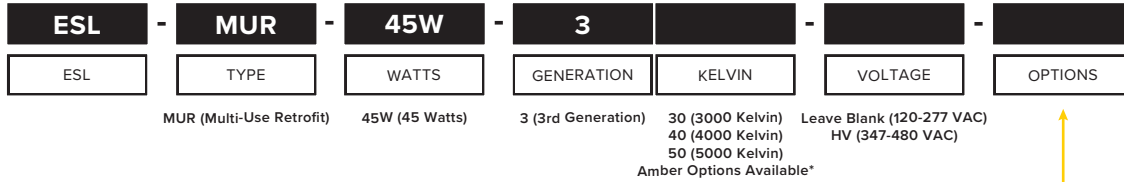


ITEM#	WATTS	LUMEN OUTPUT	EFFICACY (lm/W)	KELVIN	DLC QPL CODE (STANDARD)
ESL-MUR-45W-330	45W	4,990	110	3000K	PB6E6JXJ
ESL-MUR-45W-340	45W	5,140	113	4000K	PD561M0C
ESL-MUR-45W-350	45W	5,289	115	5000K	PJ5U8ZVQ
ESL-MUR-45W-330-HV	45W	4,858	110	3000K	PZKNP54Z
ESL-MUR-45W-340-HV	45W	4,985	113	4000K	P9AEC593
ESL-MUR-45W-350-HV	45W	5,112	115	5000K	PMII4BK8



### Ordering Guide:

Example Part Number: **ESL-MUR-45W-330-HV**



\*Please see [www.eslvision.com](http://www.eslvision.com) for more details

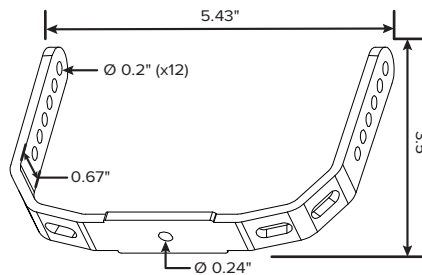
### Options (Add as Suffix):

- ESL-3OCC
  - ESL-3OCCB
  - ESL-4OCC-LDD
  - ESL-SPD-277-1
  - ESL-REM-100
- IP65 0-10v Dimming Sensor. 8'- 50' Mounting, Wire From Side  
 IP65 0-10v Dimming Sensor. 8'- 50' Mounting, Wire From Top  
 Photocell/Occupancy Sensor for Standard Mounting, Dip Switch, 0-10v  
 Hard Wire Surge Protector; (100-277 VAC) Max Discharge Current: 20kA  
 Hand Held Remote to Program 2OCC-HDD, 3OCC/B and 4OCC-LDD

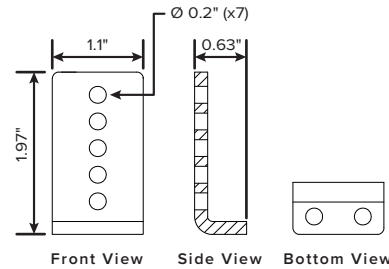
### What's Included:

- (1) LED MUR
- (1) LED Outdoor Driver
- Assembled Mounting Hardware
  - U-Bracket
  - L-Bracket
- Additional Mounting Hardware
  - Hanger Block
  - L-Plate
  - Small Plate
  - Large Plate

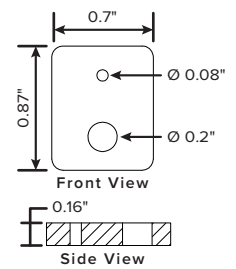
**U-Bracket**



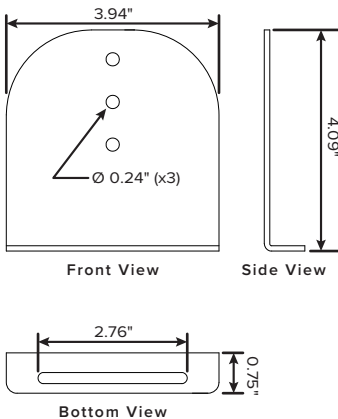
**L-Bracket**



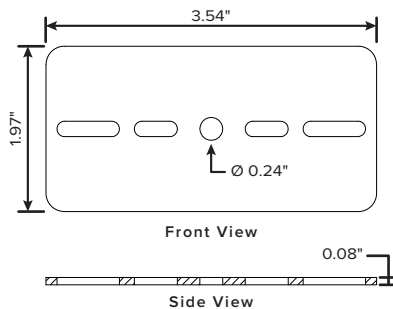
**Hanger Block**



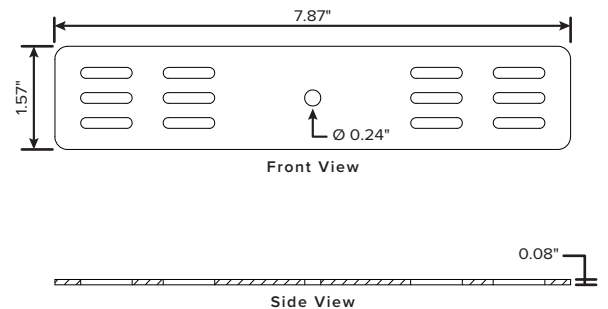
**L-Plate**



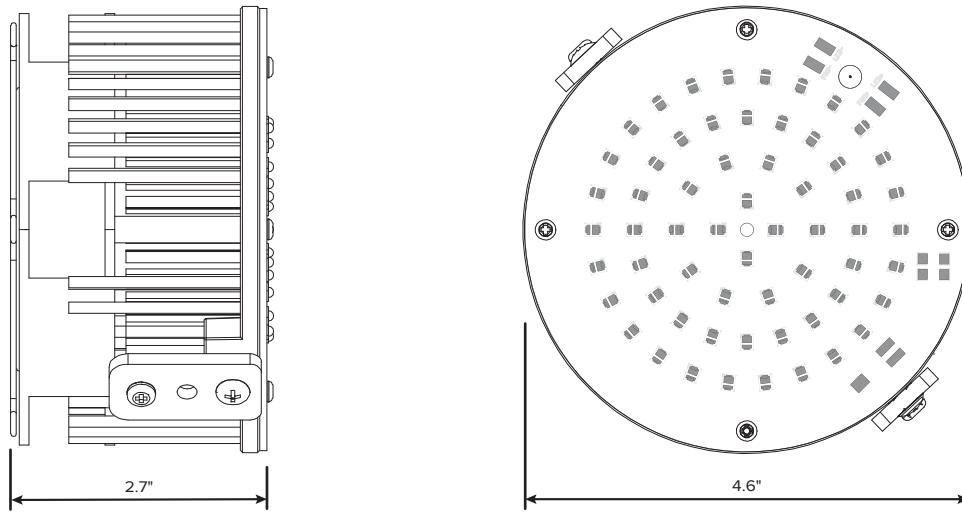
**Small Plate**



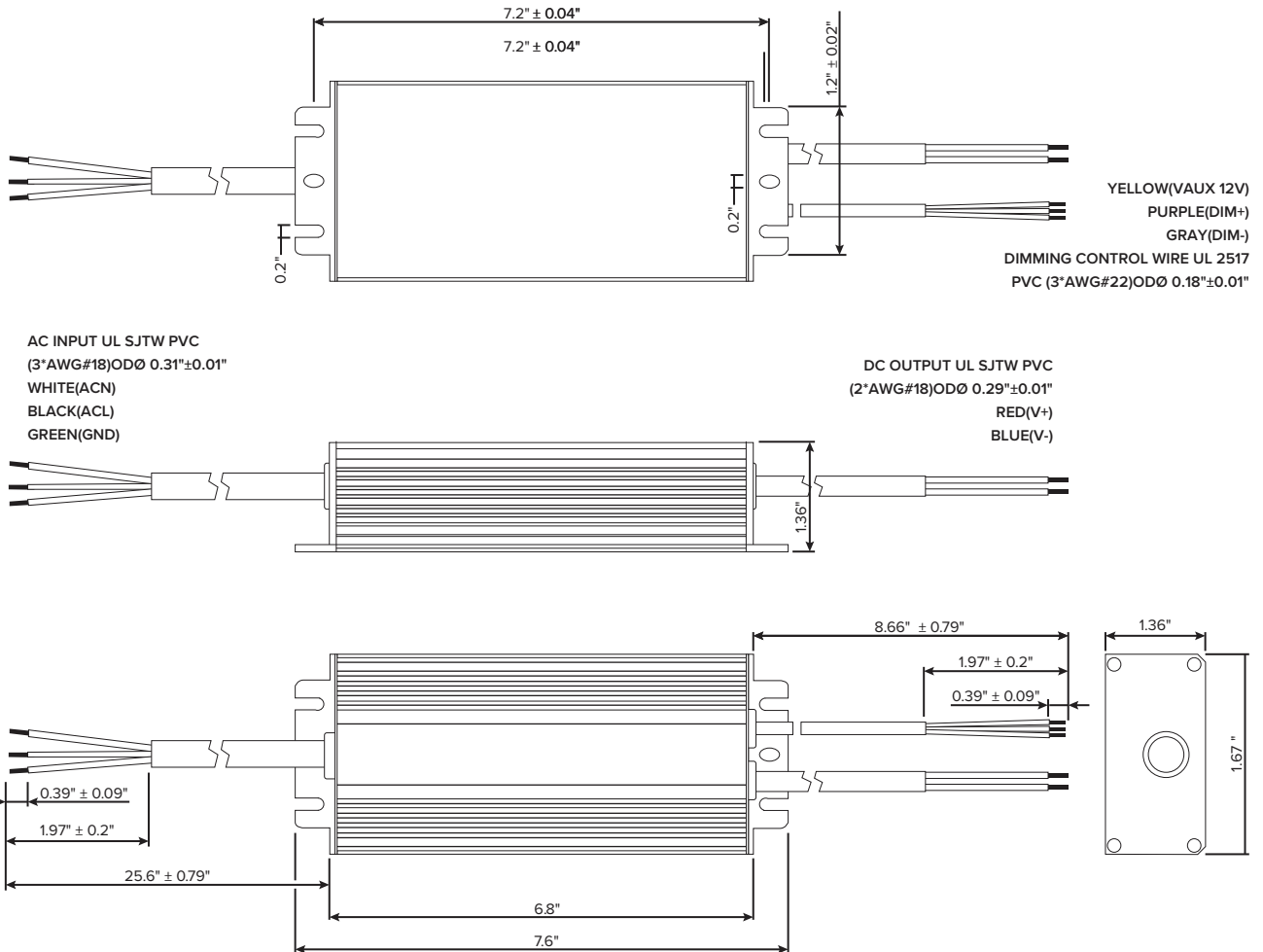
**Large Plate**



**Dimensions:**



**Standard Driver Dimensions:**



### High Voltage Driver Dimensions:

