

### Key Features & Benefits:

- Plug & Play and Line Voltage Compatible
- Rotatable/Adjustable Base
- Instant On
- 100+ Lumens per Watt
- G24 (2) Pin and (4) Pin Available



Project: \_\_\_\_\_ Date: \_\_\_\_\_  
 Catalog #: \_\_\_\_\_  
 Notes: \_\_\_\_\_



### Technical Specifications:

- Power: 11 Watts
- Lumen Output: Up to 1,195
- Efficacy (lm/W): Up to 110 Lumens per Watt
- Kelvin: 3000K, 4000K, 5000K
- CRI: >85
- Input Voltage: 120-277 VAC, Ballast Compatible
- Life Span: 35,000 Hours
- Beam Angle: 120°
- Dimensions (LxWxH): 6.5" x 1.8" x 1.8"



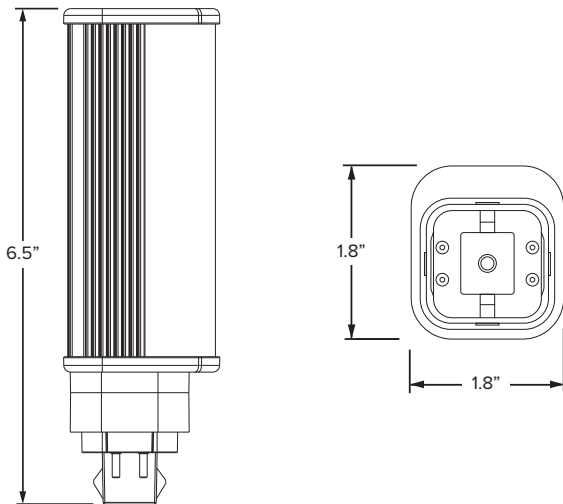
ADJUSTABLE  
BASE



PLUG & PLAY



35,000 HRS  
LONG LIFE



ITEM#	WATTS	LUMEN OUTPUT	EFFICACY (lm/W)	KELVIN	CRI
ESL-PL-11W-30-G24D	11W	1,070	98	3000K	>85
ESL-PL-11W-40-G24D	11W	1,170	107	4000K	>85
ESL-PL-11W-50-G24D	11W	1,195	109	5000K	>85
ESL-PL-11W-30-G24Q	11W	1,070	98	3000K	>85
ESL-PL-11W-40-G24Q	11W	1,170	107	4000K	>85
ESL-PL-11W-50-G24Q	11W	1,195	109	5000K	>85

\*For a complete list of compatible ballasts, refer to our Ballast Compatibility Guide

### Ordering Guide:

Example Part Number: **ESL-PL-11W-30-G24D**

<b>ESL</b>	-	<b>PL</b>	-	<b>11W</b>	-	<b>30</b>	-	<b>G24D</b>
ESL		TYPE		WATTS		KELVIN		BASE
		PL		11W (11 Watts)		30 (3000 Kelvin) 40 (4000 Kelvin) 50 (5000 Kelvin)		G24D G24Q