

Project: \_\_\_\_\_ Date: \_\_\_\_\_

Catalog #: \_\_\_\_\_

Notes: \_\_\_\_\_

### Key Features & Benefits:

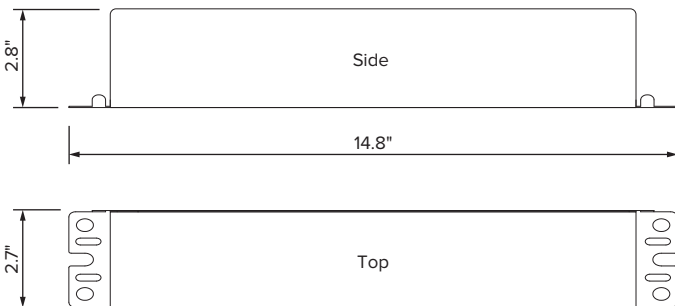
- Easy Installation
- Universal Input Voltage
- 25 Watt LED at 18V-48V
- UL Recognized
- 90 Min. Illumination Time
- 24 Hour Recharge Time
- Compact Integrated Design
- Battery:
  - High-Temperature
  - Maintenance Free
  - Nickel-Cadmium Battery
  - 7-10 Year Life Expectancy
- 3 Year Warranty
- Test Switch and Charge Indicator Kit



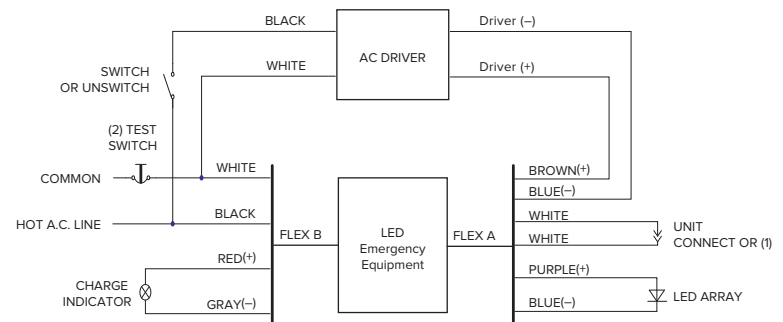
### Technical Specifications:

Input Power: 6 Watts  
 Input Voltage: 120 -277 VAC  
     Input Current @ 120V: 0.05 mA  
     Input Current @ 277V: 0.021 mA  
 Output Power: 25 Watts (max)  
 Output Voltage: 12-48 VDC  
     Dip Switch 1: 1.04A @ 18-24V  
     Dip Switch 2: .7A @ 24-36V  
     Dip Switch 3: .6A @ 36-42V\*  
     Dip Switch 4: .52A @ 42-48V  
 Max connected Load: 1.04A  
 Temperature Rating: Not to exceed 50°C/122°F  
 Emergency Operation: ≥90 Minutes  
 \*Set Dip Switch 3 for ESL Vision Quick Connects

### Emergency Driver Dimensions:



### Typical Wiring Diagram:



(1) Do not mate connector until installation is complete and AC power is supplied.

### Ordering Guide:

Example Part Number: **ESL-EMG-DC-25W**

<b>ESL</b>	-	<b>EMG</b>	-	<b>DC</b>	-	<b>25W</b>
ESL		DRIVER		OUTPUT		WATTAGE
		EMG (Emergency)		DC		25W (25 Watts)