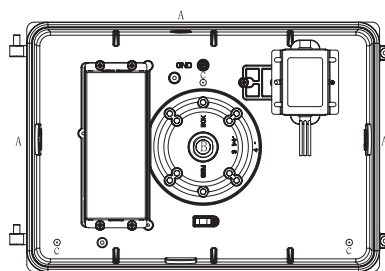


! WARNING

1. To avoid electric shock, disconnect power at source prior to installation.
2. The installation should be performed by qualified electricians or lighting technicians.
3. Before conducting any installation, maintenance, or removal, disable all power to the luminaries and wait until the fixture cool down.
4. Do not touch the fixture while it is in service.
5. If there is any problem with the fixture, DO turn off power and DO NOT attempt repair unless you are a qualified technician or the customer service member.

Junction box Mounting

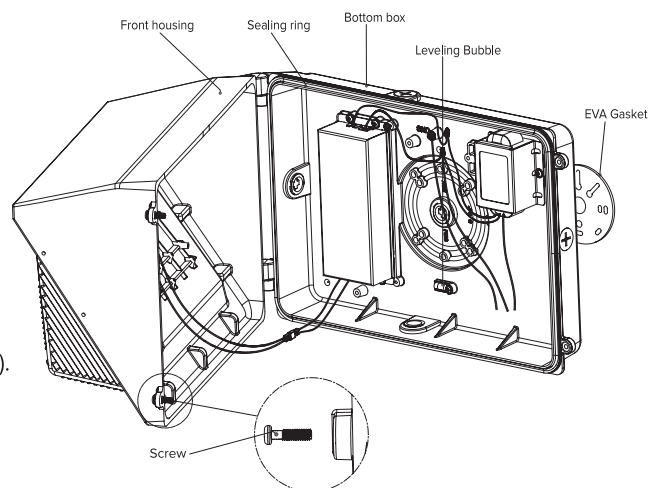
1. Loosen screws and remove the front lens set carefully from the back plate.
(Turn angle between front lens set and black plate to 0-45 degrees then push up to take down front lens set).
2. Remove 1/2" plug in center (B) for wiring, the fixture supports standard 3 1/4" and 4" Junction box.
3. Attach the back plate on the wall, use the supplied gaskets for a weather tight seal.
4. Finish wiring (Black for Line, White for Neutral and Green/Yellow Green for Ground).
5. Replace the lens set on the hinges. Make connections, close the lens set and tighten the screws.



A - 1/2" NPS tapped holes (surface conduit or photo control)
B - 1/2" Nps Tapped Holes
C - 5/16" dia. Screw hole

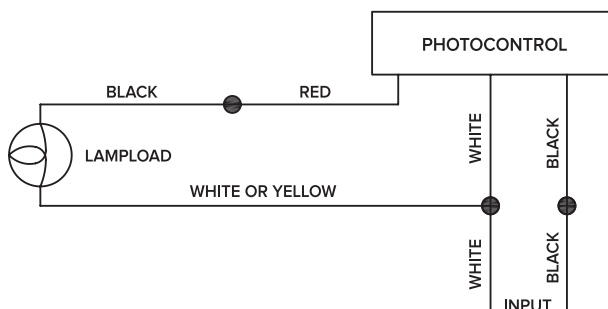
Conduit Mounting

1. Loosen screws and remove the front case set carefully from the back plate.
(Turn angle between front lens set and back plate to 0-45 degrees then push up to take down the front lens set.)
2. Remove 1/2" plug from where you intend to feed conduit.
3. Drilling out the holes (C) to secure it on the wall with choosing proper screws.
4. Finish wiring (Black for Line, White for Neutral and Green/Yellow Green for Ground).
5. Replace the lens set on the hinges and make connections. Close the lens set then tighten the screws.



Photocell Installation (Optional)

1. Reference photocontrol diagram for proper installation.
2. Only use photocell rated for your supply voltage.



Troubleshooting

1. Check that the line voltage at the fixture is correct. Refer to wiring diagram.
2. Is the fixture grounded properly?
2. Be sure the photocell, if used, is functioning properly.

Wiring Diagram

Reference wiring diagram below for 0-10v dimming version.

Black	○	Line
White	○	Neutral
Green/Yellow Green	○	Ground
Purple	○	DIM+
Gray	○	DIM-