

Key Features & Benefits:

- Field Programmable Using Handheld Remote
- Adjustable Dimming and Time Delay
- 0-10V Dimming Control
- IP66 - Weather Resistant
- 40ft Occupancy Range



Project: _____ Date: _____
 Catalog #: _____
 Notes: _____



Technical Specifications:

Power Supply: 120-277 VAC
 Maximum Load: @ -40°F ~ 158°F (-40°C ~ 70°C)
 Resistive/Tungsten - 600W@120V
 Ballast Electronic (LED) - 800/1200VA@120-277V
 HF System: 5.8Ghz CW
 Dimming Control Output: 0-10V Max. 25mA sinking current
 Detection Radius/Angle: Max meters/360°
 Mounting Height: 50ft Max
 Remote Range: 50ft (15m) indoor, no backlight
 Humidity: Max 95% RH
 Temperature: -40°F ~ 158°F (-40°C ~ 70°C)
 Dimensions(LxWxH): 2.36" x 2.36" x 1.54"



ESL-REM-101*

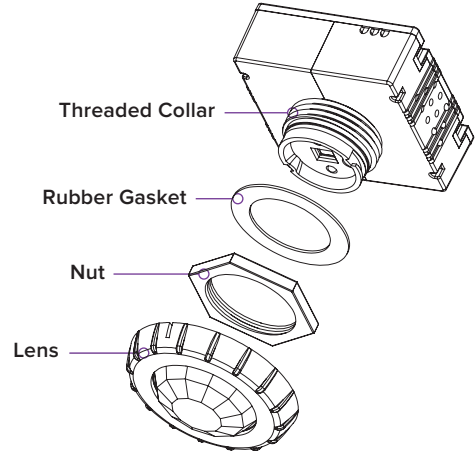
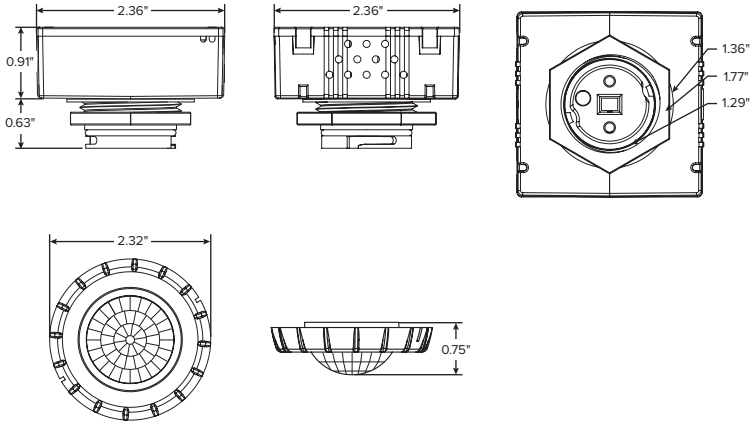
*ESL-REM-101 Sold Separately



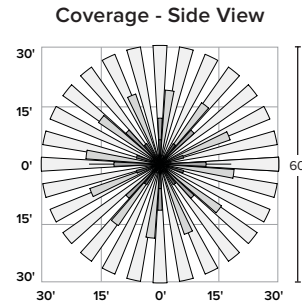
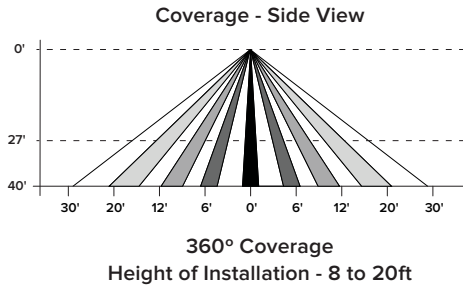
Catalog Data:

ITEM#	COLOR	DESCRIPTION
ESL-50CC	WHITE	Occupancy Sensor - 0-10V Dimming, 8'-50' Mounting Height
ESL-REM-101	BLACK	Remote Control for 2OCC, 4OCC and 5OCC

Dimensions:

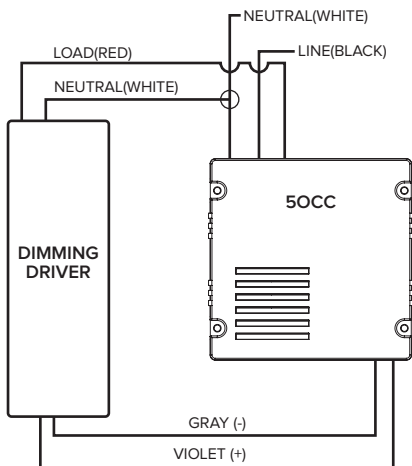


Coverage:



Wiring:

Installation with Dimming Driver



Installation with Non-Dimming Driver

