

Project: \_\_\_\_\_ Date: \_\_\_\_\_  
 Catalog #: \_\_\_\_\_  
 Notes: \_\_\_\_\_

### Key Features & Benefits:

- Universal AC Input / Full Range (up to 305 VAC)
- Built-in Active PFC Function
- Protections: Short Circuit / Over Voltage / Over Temperature
- Suitable for Dry / Damp Locations
- Easy Installation with ESL Vision Quick Connect Series
- Potted for Better Cooling and Vibration Resistance
- 7 Year Warranty



### Technical Specifications:

#### Input

Input Voltage: 100 - 277 VAC  
 Power Factor: 0.99 / 120 VAC, 0.92 / 277 VAC  
 Total Harmonic Distortion: 15%  
 Frequency Range: 47~63 Hz  
 Efficiency: 89%  
 AC Current: .45A / 120 VAC, .195A / 277 VAC

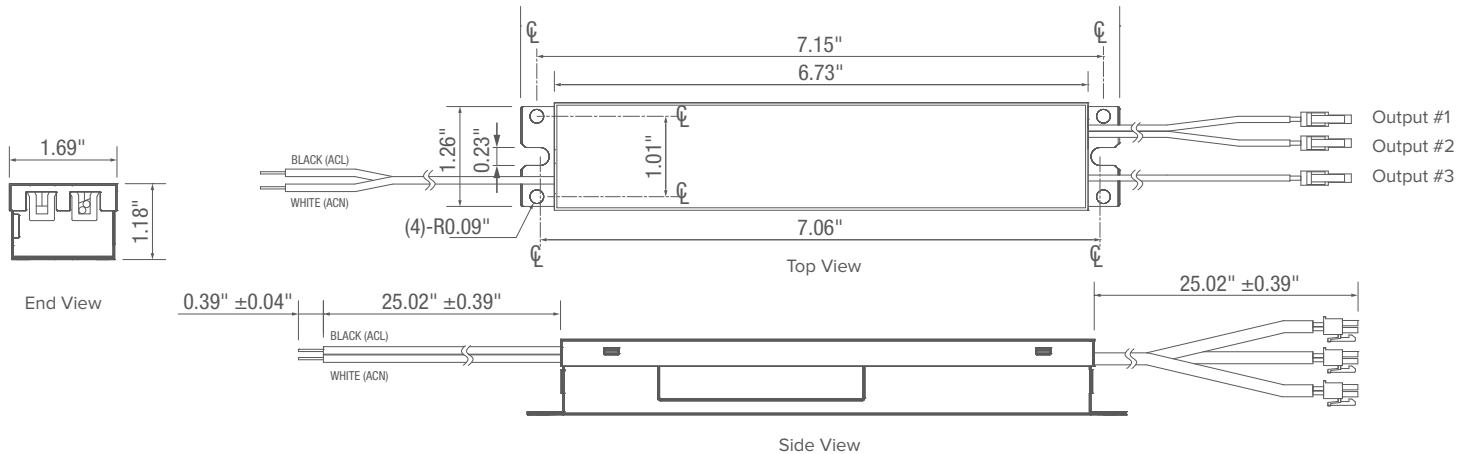
#### Output

DC Voltage: 107 VDC  
 Rated Current: 450 mA  
 Rated Power: 18W x 3 (Total 54W)  
 Voltage Range: 70 - 115 VDC  
 Line Regulation: 3%  
 Load Regulation: 2%

#### Environment

Working Temperature: -20 ~ 50°C  
 Max Case Temperature: 83°C  
 Working Humidity: 20 -90% RH

### Driver Dimensions:



Example Part Number: **ESL-DQC3-18W-3L**

