

Key Features & Benefits:

- Provides Line Voltage On/Off Switching
- Works With Ballast or LED Drivers
- Adjustable Via Built in Dip Switches
- Optional Cut Off Delay
- Time Delay From 10 Seconds to 30 Minutes
- Adjustable Ramp Up and Fade Down Times
- Durable and Reliable Operation:
 - High Inrush Stability
 - Zero Crossing Circuitry

Project: _____

Date: _____

Catalog #: _____

Notes: _____



Technical Specifications:

Power Supply: 120-277 VAC, 50/60Hz

Maximum Load @ -40°F ~ 167°F:

Resistive/Tungsten - 600W@ 120V

Fluorescent Ballast/CFL - 800W/1200W@ 120/277V

Ballast Electronic (LED) - 800W/1200W@ 120/277V

HF System: 5.8Ghz CW

Sensor Type: Passive Infrared

Sensitivity Adjustment: 20% / 50% / 75% / 100%

Detection Radius/angle: 30ft@40ft Height/360°

Detection Area (square footage): 2826ft²@40ft Height/360°

Mounting Height: 40ft

Humidity: Max 95% RH

Temperature: -40°F ~ 167°F (-40°C ~ 75°C)



Catalog Data:

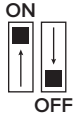
ITEM#	COLOR	DESCRIPTION
ESL-10CC-HDO	WHITE	Standard High Bay Sensor with Dip Switch Setting, On/Off Control

Dip Switch Programming:

Detection Range (Sensitivity):

Detection range is the term used to describe the radii of the circular detection zone after sensor has been mounted and installed at a height of 50ft.

SENSITIVITY			
1	2	3	%
OFF	OFF	OFF	20%
OFF	ON	ON	50%
ON	OFF	ON	75%
ON	ON	ON	100%



Hold Time:

The light can be set to stay ON for any period of time between approximately 10 seconds to a maximum of 30 minutes. Any detection of movement before the programmed hold time elapses and the timer with re-start. It is recommended to select the shortest time for adjusting the detection zone and for performing the walk test.

TIME				
4	5	6	7	⊙
OFF	OFF	OFF	OFF	10s
OFF	OFF	OFF	ON	1min
OFF	ON	OFF	OFF	5min
OFF	ON	OFF	ON	10min
ON	OFF	OFF	ON	30min

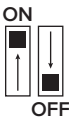
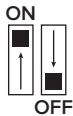
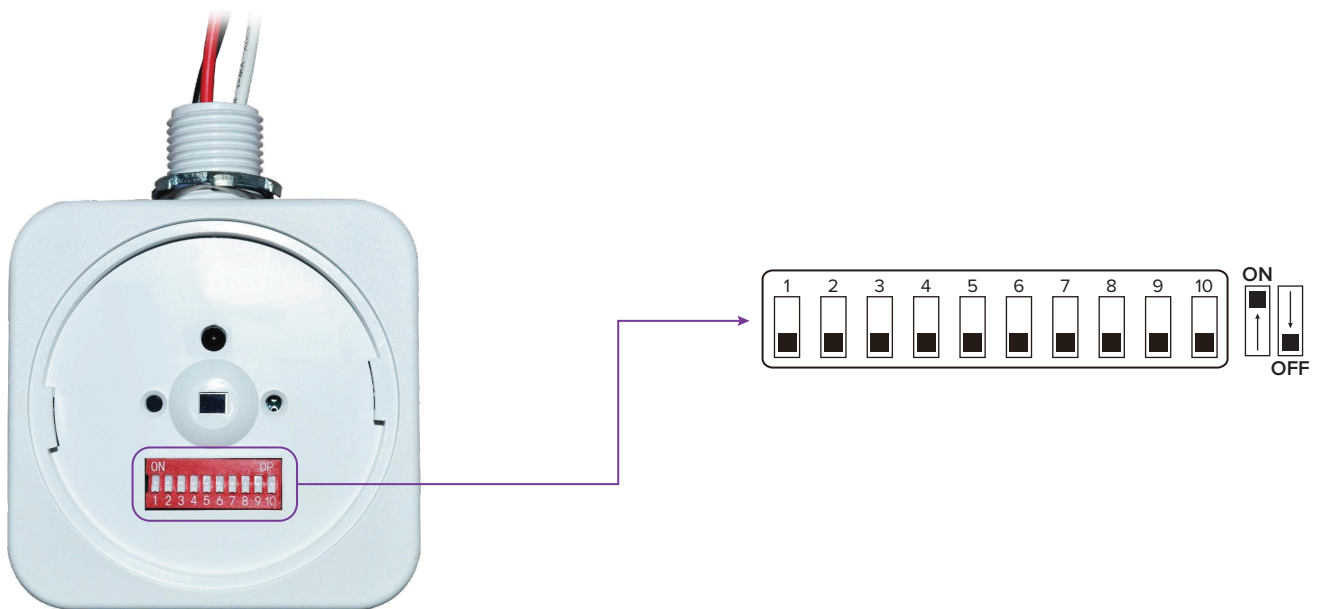


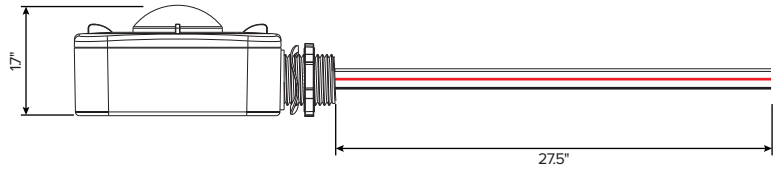
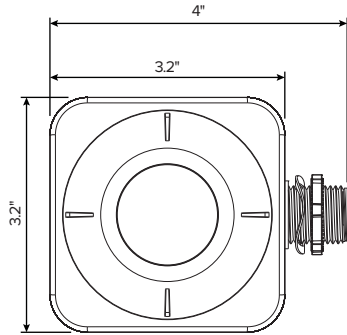
Photo Control:

The photocell light settings can be adjusted to: Off = no change in light will affect occupancy. At 10lux (1 fc) fixture will go off. At 50lux (5 fc) fixture will go off. At 300lux (28 fc) fixture will go off.

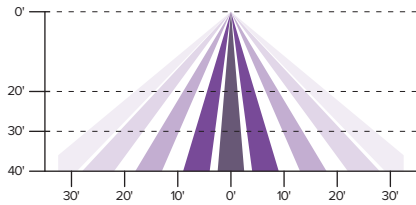
LIGHT			
8	9	10	lux
OFF	OFF	OFF	☼
OFF	OFF	ON	10lux
OFF	ON	ON	50lux
ON	ON	OFF	300lux

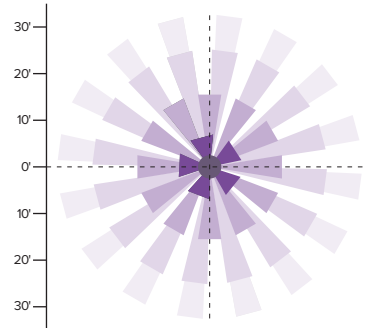
Dimensions:



Coverage:



Side View Coverage



Top View Coverage

Wiring:

