

## PAR30 - 11 Watts

Project: \_\_\_\_\_ Date: \_\_\_\_\_

Catalog #: \_\_\_\_\_

Notes: \_\_\_\_\_

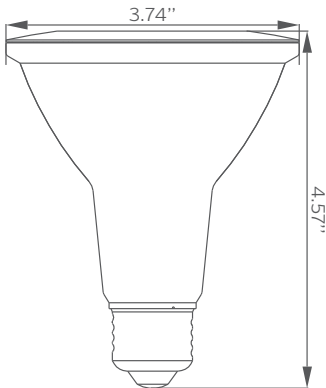
### Key Features & Benefits:

- Energy Star listed
- >90 CRI
- 85% Energy savings
- 5 Year Warranty



### Technical Specifications:

- Power: 11 Watts
- Lumen Output: Up to 800
- Efficacy (lm/W): Up to 72 Lumens per Watt
- Correlated Color Temperature (CCT): 2700K, 3000K, 4000K, 5000K
- CRI: >90
- Input Voltage: 120 VAC
- Life Span: 25,000 Hours
- Beam Angle: 40°
- Dimensions(ØxH): 3.74" x 4.57"
- Base Type: E26



ITEM #	WATTS	LUMEN OUTPUT	EFFICACY (lm/W)	KELVIN	CRI	ENERGY STAR CERTIFIED
ESL-PAR30-11W-32740	11W	800	72	2700K	>90	✓
ESL-PAR30-11W-33040	11W	800	72	3000K	>90	✓
ESL-PAR30-11W-34040	11W	800	72	4000K	>90	✓
ESL-PAR30-11W-35040	11W	800	72	5000K	>90	✓

### Ordering Guide:

Example Part Number: **ESL-PAR30-12W-33040**

<b>ESL</b>	-	<b>PAR30</b>	-	<b>12W</b>	-	<b>3</b>	-	<b>40</b>
ESL		TYPE		WATTS		GENERATION		COLOR
		PAR30 (PAR30)		11W (11 Watts)		3 (Series 3)		27 (2700 Kelvin) 30 (3000 Kelvin) 40 (4000 Kelvin) 50 (5000 Kelvin)
								40 (40 Degrees)