

# LED Wall Pack - 17W

Project: \_\_\_\_\_ Date: \_\_\_\_\_  
 Catalog #: \_\_\_\_\_  
 Notes: \_\_\_\_\_

**The ESL Vision Wall Pack series** The ESL Vision Wall Pack Series features classic form with the modern energy saving benefits of LED. Switching your businesses' outdoor lighting to ESL Vision's Wall Packs will not only cut your energy expenses by up to 75%, it'll also save you on those costly facility maintenance visits.

## Key Features & Benefits

- Rugged cast aluminum housing:
  - Dark bronze finish
- Optical grade polycarbonate lens:
  - No UV/IR light
  - Uniform light distribution
  - Impact resistant
- 5 year warranty
- One piece light source and lens with easy access driver
- Continuous gasket for weathertight seal
- (3) 3/4" threaded knockouts
- Environmentally friendly:
  - No mercury
  - No hazardous substances
  - Reduced energy
- DLC listed reflector
  - Low light pollution
- L70 Lifetime >50,000 Hours
- 95° beam angle
- CRI ≥83



Wall Pack

## Technical Data

### Driver Specifications

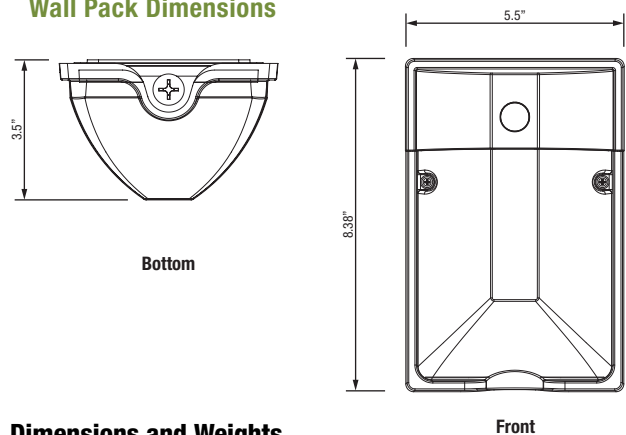
Input Power: 17 Watts  
 Input Voltage: 120-277 VAC  
 Input Current @ 120V @ 120V: 0.142 Amps  
 Input Current @ 277V @ 120V: 0.061 Amps  
 Total Harmonic Distortion (TDH):  
 TDH @ 120V: 20.83%  
 TDH @ 277V: 19.54%

### Light Specifications

Lumen Output: Up to 1,752 Lumens  
 Efficacy (lm/W): Up to 103 Lumens  
 Correlated Color Temperature (CCT): 4000K, 5000K  
 Color Rendering Index (CRI): >80  
 Beam Angle: 70-92°  
 Lens Type: Polycarbonate (UL Recognized)  
 Photocell Compatible: YES  
 Rated Life: 50,000 Hours



### Wall Pack Dimensions



### Dimensions and Weights

Dimensions: 8.38 x 5.48 x 3.52  
 Weight (lbs): 2.16

## Wall Pack Ordering Guide

Example Part Number: ESL-WP-17W-140

ESL	-	WP	-	17W	-	1	
ESL	-	WP	-	Watts	-	Series	Color
		WP (Wall Pack)		17W (17 Watts)		1 (Series 1)	40 (4000 Kelvin) 50 (5000 Kelvin)